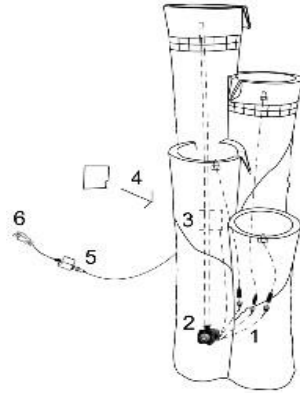


Thank you for choosing Sunnydaze Decor. We stand behind our brand and the quality of the items we sell. Replacement parts or products will be sent at our discretion, within the one-year warranty period. Proof of purchase, with the date of purchase as well as photos of the defective merchandise, must be provided. If you have any questions, comments or concerns please feel free to contact us by phone at: **888-881-4668**. You may also contact us by email: customerservice@serenityhealth.com, or via our webpage at: www.serenityhealth.com/contact-us/



4-Tier Staggered Pillars Water Fountain with LED Lights



ASSEMBLY INSTRUCTIONS:

Please read the assembly and operating instructions carefully and observe the safety instructions. Keep these details in a safe place for future reference.

- 1- Connect the two ends of LED lighting cords together and screw over the plastic collar.**
- 2- Adjust pump flow as needed, then connect tubing to the pump. Put pump in water reservoir.**
- 3- Run the cable through the back of the fountain.**
- 4- Affix the back cover.**
- 5- Push the cable with pin into the transformer/plug and screw over the plastic collar.**
- 6- Follow by filling the feature with sufficient water to fully submerge the pump. Connect the plug to outlet. (If in doubt about any electrical connections, please consult a qualified electrician, then connect the plug to socket.)**

IMPORTANT CARE NOTICE

- Fill fountain with sufficient water to ensure the pump is well submerged.
- Clean and top-off the water on a regular basis.
- Always shut off the power before cleaning and maintaining the pump.
- Never allow the fountain pump to run dry as this will cause damage and void the warranty.
- It's not recommended to leave the fountain running constantly. We suggest turning the fountain off when not present.

WINTER CARE

- During winter never allow ice to form in the bowls. The force of the ice forming will crack the bowls.
- Drain the fountain and store indoors.
- The pump should be disconnected from the main supply, removed from the fountain and cleaned in the following way:
 - a) Remove the inlet cover from the front of the pump and gently grip the impeller to pull out the rotor assembly, from the pump.
 - b) Clean the rotor and rotor housing with water, then dry with a towel.
 - c) Reassemble the parts and store the pump in a dry area.

TROUBLESHOOTING

If the water pump fails to operate, check the following:

- 1.) If the pump cannot pump water check if the power is correctly connected and check if sufficient water is inside of the reservoir.
 - a.) Check the pump and tubing for any form of obstructions.
 - b.) Remove the cover with the pump flow adjuster on it and gently remove the inner cover to reveal the pump impeller, and gently turn the rotor to check that it is not broken or jammed.
- 2.) If the pump runs with slow water circulation check the following:
 - a.) The flow control on the body of the pump.
 - b.) Ensure the pump is completely submerged.
- 3.) If any abnormal sound is heard during the pump operation, turn off the power supply and check the rotor assembly as follows:
 - a.) Remove the pump cover and rotor plate from the front.
 - b.) Grip the impeller and gently take out the rotor assembly from the pump.
 - c.) Rinse the motor assembly and the housing with clean water in order to remove any grit or debris.
 - d.) If any breakage or surface damage is found on the rotor assembly, please contact your supplier if a replacement is needed.

We hope you continue to enjoy your water feature for many years. Over time the paint finish will gradually mellow in color, this is part of the natural weathering process.