



# LectroFan micro

SOUND MACHINE AND  
WIRELESS PORTABLE AUDIO DEVICE

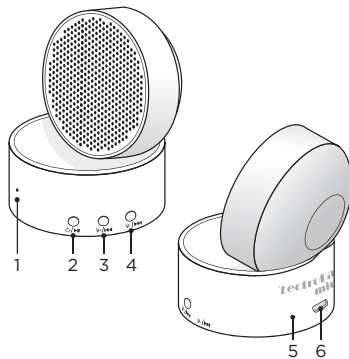
**ASTI**  
ADAPTIVE SOUND TECHNOLOGIES, INC.

## LOCATION OF PARTS AND CONTROLS

1. Microphone
2. Power/Play/Pause Button
3. Volume +/Track Back Button
4. Volume -/Track FWD Button
5. LED Indicator
6. Micro USB Charging Port
7. Micro USB Charging Cable (not shown)

**LECTROFAN MICRO** is a revolutionary sound machine and wireless portable audio device combining the latest Bluetooth® speaker technology and the acclaimed sleep sound science of Adaptive Sound Technologies, Inc.

You can mask noises, relax, and sleep better using 10 different sounds including four white noise selections, five fan sounds, or the ocean waves SoundScape. The distinctive speaker design swivels up or down to easily fit anywhere and be rotated for directional sound control. Simply turn the top part of the *LectroFan micro* to adjust it as you like.



All of this capability is controlled by three buttons, as shown in the images above.

Each button has two types of actions:

1. **The first action** (*Power On/Off, Volume Up, or Volume Down*) is activated by holding down the button for at least a couple of seconds—called a “**Long Press.**”
2. **The second action** (*Play/Pause, Previous Sound/Song, or Next Sound/Song*) is activated by briefly pressing the button—called a “**Short Press.**”

## USING YOUR *LECTROFAN MICRO* AS SOUND MASKING MACHINE

1. When your *LectroFan micro* is off:  
A **Short Press** of the Power/Pause button will turn the Sound Masking feature *On*.
2. When your *LectroFan micro* is on:  
A **Short Press** of the Power/Pause button will turn your *LectroFan micro* *Off*.

When choosing your SoundStory:

1. **Short Pressing** the V+<< button will select the *Previous* SoundStory.
2. **Short Pressing** the V->> button will select the *Next* SoundStory.
- **Long Presses** of either of these last two buttons will *adjust the volume* of the *micro*.

\* **Note:** to max volume on *micro*, ensure your playback device is raised to max volume.

## USING YOUR *LECTROFAN MICRO* AS A BLUETOOTH SPEAKER

Before you can use your *LectroFan micro* as a Bluetooth speaker, you need to pair it with your audio source, such as your smart phone. This only needs to be done once for each audio source.

1. First, turn on the Bluetooth feature of your *LectroFan micro* with a **Long Press** of the Power/Pause button. You will hear the tones indicating that the Bluetooth feature is turning on and the Blue status light will flash.
2. Set your audio source to look for new Bluetooth devices and select the *LectroFan micro* device. If a PIN is required, use 0000. Two tones will indicate that the pairing is complete. See your audio source's instructions for pairing, if needed.

Once paired and connected, you can change the volume with a **Long Press** of the V+<< or V->> keys to increase or decrease the volume. Pressing the Power/Pause button briefly will pause the audio and pressing it again will resume the audio.

A **Long Press** of the Power/Pause button will turn your *LectroFan micro* *Off*, when in *Bluetooth Speaker mode*.

When paired and connected to a smart phone, you can *answer an incoming phone call* with a **Short Press** of the Power/Pause button. **Another Short Press** of the Power/Pause button will *end the call*. During the phone call, the audio stream will be paused.

## CHARGING LECTROFAN MICRO

The *LectroFan micro* includes a Lithium Ion rechargeable battery for hours of cord-free enjoyment, when a power source is not conveniently available. When near a power source, you can use your *LectroFan micro* indefinitely while plugged into a power adapter, etc. To charge the battery, plug the micro USB plug of the included power cable to the micro-USB jack on *LectroFan micro* and the USB-A end of the cable into a power source, such as a standard USB power adapter, a computer's USB jack, etc. While charging, the *LectroFan micro*'s LED light will glow red and will turn off after the battery is charged.

## RESETTING LECTROFAN MICRO

During normal use, *LectroFan micro* should not need to be reset. If you wish to perform a hard reset, press the Power Button and hold it for 15 seconds. A tone will confirm that the system has been reset and a fan sound will begin to play.

## BATTERY PERFORMANCE

**Note:** The *Fan and White Noise* sound can operate when battery power is lower, but the Bluetooth mode may require higher battery charge. Please

ensure a strong battery charge to use Bluetooth capability.

## SPECIFICATIONS

**Power:** USB-A power source able to supply 5 V at 1 Amp. (Not included)

**Audio Output:** 3 Watts or less

**Bluetooth Compatibility:**  
Bluetooth 2.0 or greater

**Bluetooth Range:** 33 feet (10 meters)

**Lithium-Ion Battery Capacity:**  
680 mAh

**Battery Run Time:**  
- Up to 6 hours for bluetooth audio  
- Up to 16 hours for white noise/  
fan sounds

**Battery Charge Time:** 4 hours

## LITHIUM-ION BATTERY

*LectroFan micro* contains a non-removable lithium-ion battery. Local, state or federal laws may prohibit disposal of lithium-ion batteries in ordinary trash. Consult your local waste authority for information regarding available recycling and/or disposal options.

## SOFTWARE LICENSING

The software contained in the *LectroFan micro* is licensed to you, not sold to you. This is only to protect our intellectual property and has no effect on your ability to use the *LectroFan micro* wherever you please. See <http://asticorp.com/sw-license> for more information.

## ONE YEAR LIMITED WARRANTY

Adaptive Sound Technologies, Inc., hereinafter referred to as ASTI, warrants this product against defects in materials and/or workmanship under normal use for a period of ONE (1) YEAR from the date of purchase by the original purchaser ("Warranty Period"). If a defect arises and a valid claim is received within the Warranty Period, at its option, ASTI will either 1) repair the defect at no charge, using new or refurbished replacement parts, or 2) replace the product with a current product that is close in functionality to the original product. A replacement product or part, including a user-installable part installed in accordance with instructions provided by ASTI, is covered by the remaining warranty of the original purchase.

When a product or part is exchanged, the replacement item becomes your property and the replaced item becomes ASTI's property.

**Obtaining Service:** To obtain warranty service please call, or email, your reseller. Please be prepared to describe the product that needs service and the nature of the problem. All repairs and replacements must be authorized in advance by your reseller. A purchase receipt must accompany all returns. Service options, parts availability and response times will vary.

**Limits and Exclusions:** This Limited Warranty applies only to the *LectroFan micro*, and the included power cable.

**This warranty does not apply to:** a) damage caused by failure to follow instructions relating to the product's use or to the installation of components; b) damage caused by accident, abuse, misuse, fire, floods, earthquake or other external causes; c) damage caused by service performed by anyone who is not a representative of ASTI; d) accessories used in conjunction with a covered product; e) a product or part that has been modified to alter functionality

or capability; f) any and all pre-existing conditions that occur prior to the effective date of this Limited Warranty relating to any product sold "as is" including, without limitation, floor demonstration models and refurbished items.

**ASTI SHALL NOT BE LIABLE FOR INCIDENTAL OR CONSEQUENTIAL DAMAGES RESULTING FROM THE USE OF THIS PRODUCT, OR ARISING OUT OF ANY BREACH OF THIS WARRANTY. TO THE EXTENT PERMITTED BY APPLICABLE LAW, ASTI DISCLAIMS ANY AND ALL STATUTORY OR IMPLIED WARRANTIES, INCLUDING, WITHOUT LIMITATION, WARRANTIES OF MERCHANTABILITY, FITNESS FOR A PARTICULAR PURPOSE AND WARRANTIES AGAINST HIDDEN OR LATENT DEFECTS. IF ASTI CANNOT LAWFULLY DISCLAIM STATUTORY OR IMPLIED WARRANTIES, THEN TO THE EXTENT PERMITTED BY LAW, ALL SUCH WARRANTIES SHALL BE LIMITED IN DURATION TO THE DURATION OF THIS EXPRESS WARRANTY.**

Some geographic areas disallow the exclusion or limitation of incidental or consequential damages or the length of an implied warranty. As a consequence, some of the above exclusions or limitations may not apply to buyers residing in those areas. This warranty grants specific legal rights to buyers, but other rights may also be granted, which vary from country to country, state to state, etc.

## FCC Declaration

This equipment has been tested and found to comply with the limits for a Class B Digital Device, pursuant to Part 15 of the FCC Rules. These limits are designed to provide reasonable protection against harmful interference in a residential installation. This equipment generates, uses, and can radiate radio frequency energy, and if not installed and used in accordance with the instructions, may cause harmful interference to radio communications. However, there is no guarantee that interference will not occur in a

particular installation. If this equipment does cause harmful interference to radio or television reception, which can be determined by turning the equipment off and on, the user is encouraged to try to correct the interference by one or more of the following measures:

- Reorient or relocate the receiving antenna.
- Increase the separation between the equipment and receiver.
- Connect the equipment to an outlet on a circuit different from the one to which the receiver is connected.
- Consult the dealer or an experienced radio/TV technician for help.

**Declaration of Conformity Trade Name:**

LectroFan micro

**System Model Name:** ASM1017

**Responsible Party:** Adaptive Sound Technologies, Inc.

**Address:** 1475 South Bascom Avenue  
Campbell, CA 95008 USA

**Telephone Number:** 1-408-377-3411

This device complies with Part 15 of the FCC Rules. Operation is subject to the following two conditions: (1) This device may not cause harmful interference, and (2) this device must accept any interference received, including interference that may cause undesired operation. Changes or modifications not expressly approved by the party responsible for compliance could void the user's authority to operate the equipment.



© 2016 Adaptive Sound Technologies, Inc. All Rights Reserved. LectroFan, Adaptive Sound Technologies, and the ASTI logo are trademarks or registered trademarks of Adaptive Sound Technologies, Inc. All other marks, including Bluetooth®, are registered trademarks of their respective owners.