

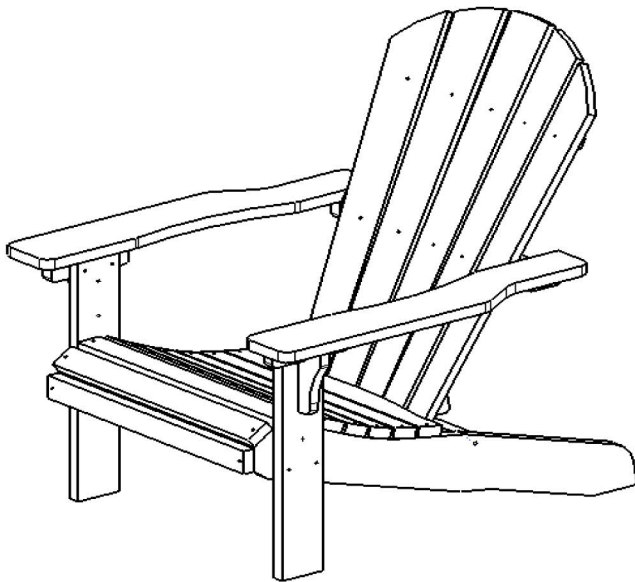


Thank you for choosing Sunnydaze Decor. If you have any questions, comments or concerns, feel free to contact us by phone at **888-881-4668**, by email: **customerservice@serenityhealth.com**, or via our contact us page at **www.SerenityHealth.com/contact-us**.

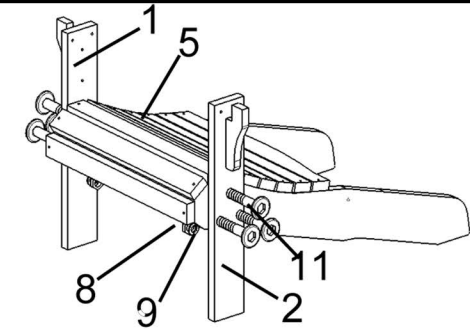
We stand behind our brand and the quality of the items we sell. We will send new parts or replace products at our discretion within the 1-year warranty period. Before we can help, you will need to provide proof of purchase with the date of purchase, and photos of the defective merchandise. We will use the photos to determine the cause of defect and for future quality control.

All - Weather Adirondack Chair Assembly Instructions

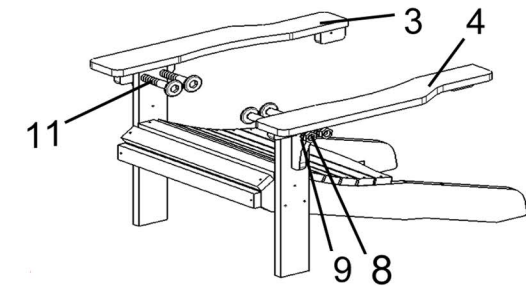
**SKUs: BF-898, BF-904,
BF-911, and BF-928**



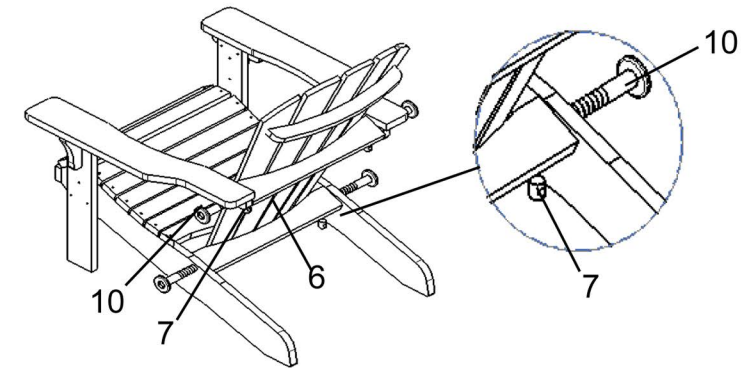
STEP 1: Use the bolts (11) to attach the legs (1) & (2) to the chair seat (5).



STEP 2: Use the bolts (11) to attach the legs (1) & (2) to the arms (3) & (4).



STEP 3: Use bolts (10) to attach the chair seat (5) to the backrest (6). Next, use bolts (10) to attach chair arms (3) & (4) to the backrest (6)



10 M6X50MM bolt 11 M6X55MM bolt

