



PO BOX 649, 218 E. DOWLAND ST.
 LUDINGTON, MI 49431
 (231) 845-1263 OR 800-223-6047
 www.carrom.com

CAUTION: This is not a toy and is intended for use by or under the supervision of ADULTS!

Item #	Part #	Description	Qty	Used On...
1	753.47.20	Cabinet Side – Burr Oak	2	Cabinet Assembly 750.33
1	520.20.20	Cabinet Side – Agean Green	2	Cabinet Assembly 750.20
2	753.47.30	Cabinet End – Burr Oak	2	Cabinet Assembly 750.33
2	520.20.30	Cabinet End – Agean Green	2	Cabinet Assembly 750.20
3	05.753.55	Goalie Cover Plate	2	Scoring
4	753.47.50	Goalie End Board – White Inside	2	Cabinet Assembly
6	753.47.12	Playfield – Green	1	Cabinet Assy 750.33 / 750.20
7	09.753.76	Screw - #6 x 5/8 Flat Head	4	Goalie Cover Plate
8	05.755.13	Ball Return	2	End Apron
9	01.744.50	Leg 29"	4	Leg Assy
10	753.40.40	Support Strip	1	Beneath Playfield
11	05.770.40	Leg Boot	4	Leg Assembly
12	09.755.42	3/8 – 16 x 2" Bolt (Black)	16	Leg Assembly
13	09.755.41	3/8" I.D. Flat Washer (Black)	16	Leg Assembly
17	05.755.12	Ball Entry Cup	2	Side Apron
18	05.755.14	Inner Bearing (already assembled)	16	Side Apron
19	05.755.15	Outer Bearing (already assembled)	16	Side Apron
22		Bead Scoring Assembly	2	Scoring
24		3-Man Rod	4	Rod Assembly
25		2-Man Rod	2	Rod Assembly
26		5-Man Rod	2	Rod Assembly
27		Rubber Handle	8	Rod Assembly 750.33 / 750.20
28		Nylon Washer 1 – 1/2" Dia.	16	Rod Assembly
29		Rubber Bumper	16	Rod Assembly
31		Screw - #10 – 32 x 3/4" Pan Head	8	Rod Assembly
32		Player – Hand Painted	26	Rod Assembly 750.33 / 750.20
34		Rod End Cap	8	Rod Assembly
35		Bolt - #8 – 32 x 1 – 1/4 Slotted Hd	26	Player Assy, Stop Ring Assy
36		Nylon Nut #8 –32	26	Player Assy, Stop Ring Assy
37		Triangular Ramp	4	Single Goalie Version of Game
38		Stop Ring	4	Single Goalie Version of Game
41	09.753.15	Screw - #8 x 3" Washer Head	24	Cabinet Assembly
43	09.755.21	Screw - #6 x 1" Pan Head	8	Play Surface
44	09.744.11	Screw - #8 x 1/2" Phil, Pan Head	8	Ball Return

**FOR SPARE PARTS OR ASSEMBLY QUESTIONS, PLEASE DO NOT CONTACT THE STORE.
 PLEASE CONTACT OUR CUSTOMER SERVICE DEPARTMENT FOR PROMPT SERVICE!
 1-800-223-6047**

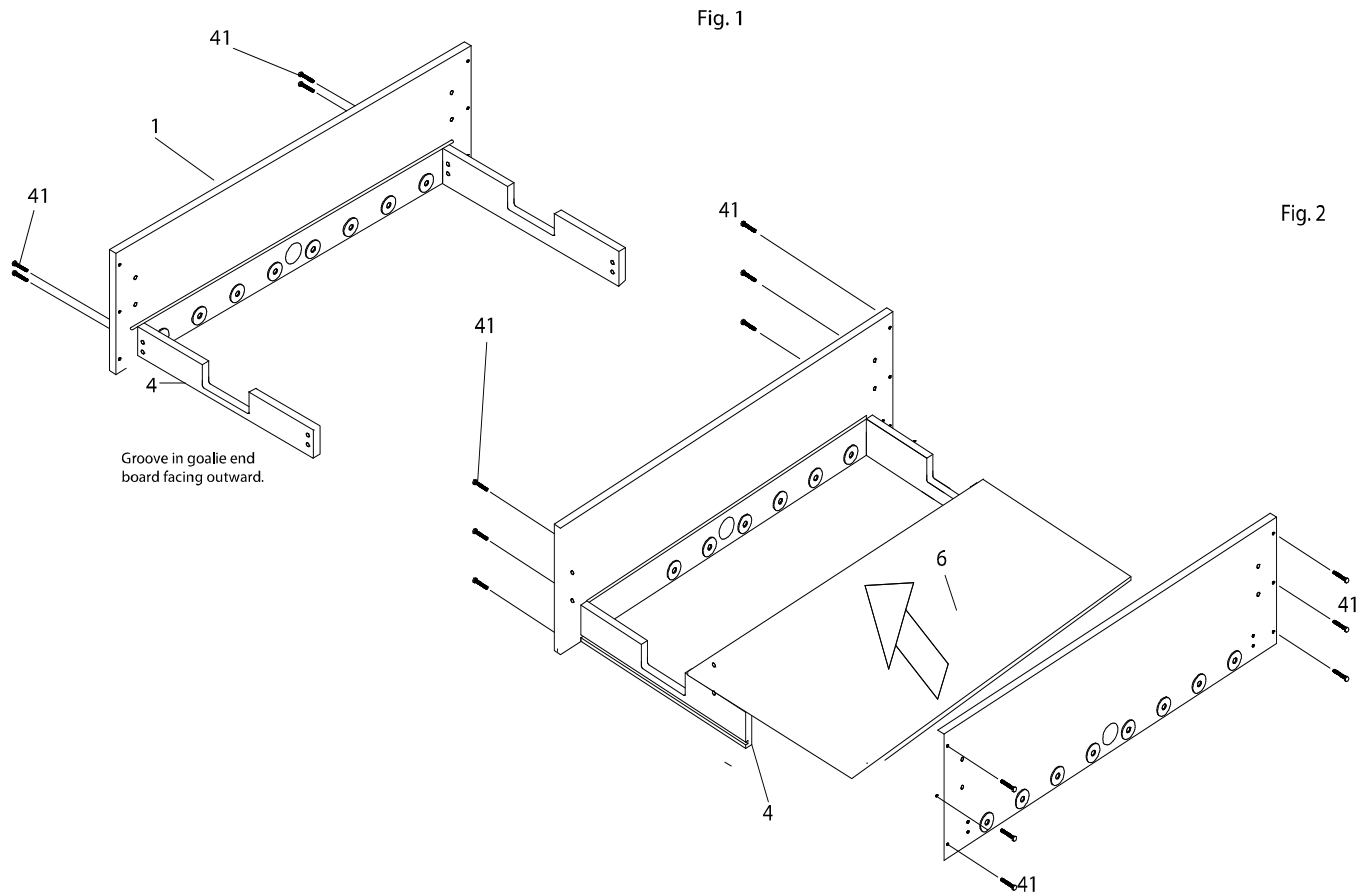
TOOLS REQUIRED: 9/16" Wrench, Phillips Screwdriver and a Level.

Step 1

Open the carton of your new Foosball Game near where you will play. Select a clear, level floor. The table will be assembled upside down, and then turned over onto its legs. This is a very heavy table game, and turning it over will require at least two strong adults.

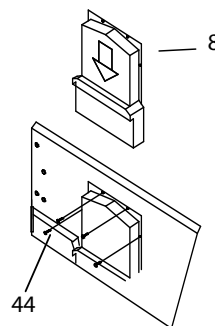
With top edges down, assemble (1) SIDE (item #1), with the groove toward the bottom and facing inward. Attach (2) GOALIE END BOARDS (item #4) with the raw routed edge facing out. Use (4) #8 X 3" SCREWS (item #41) to connect the goalie end board to the side. Repeat on other end. Make connections somewhat loose at this time. **FOR BEST RESULTS, DO NOT TIGHTEN ANY SCREWS UNTIL COMPLETELY ASSEMBLED!** See Fig. 1

Center the PLAYFIELD (item #6) with good graphics facing down into the groove of the side and lay on goalie end boards. Now attach the other SIDE (item #1) the same as before. See Fig. 2



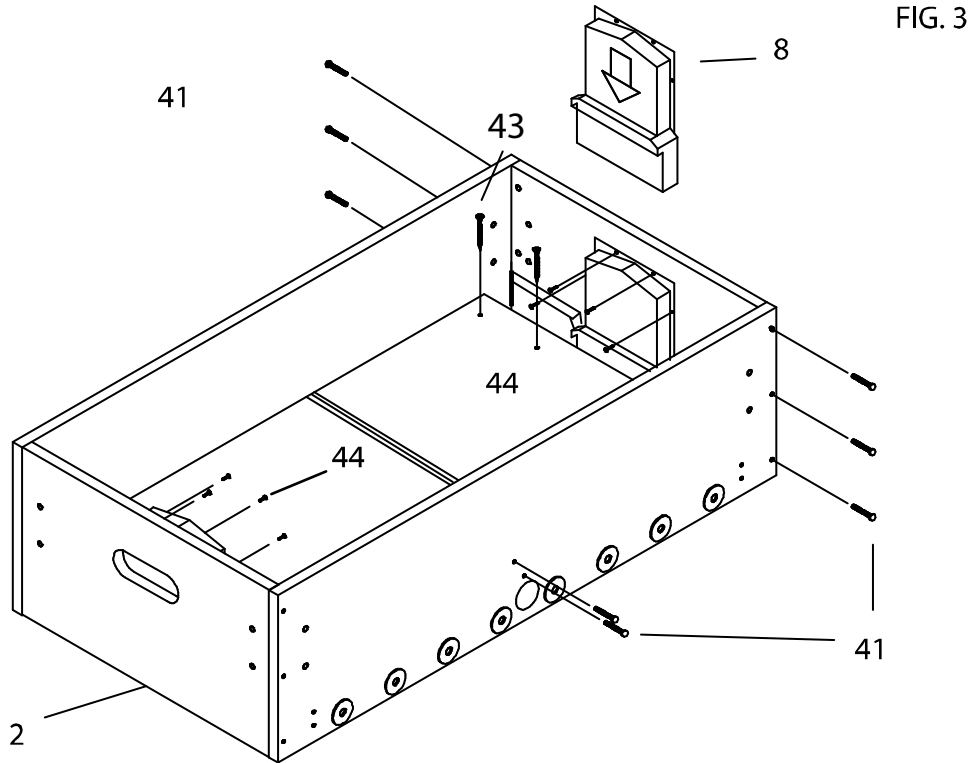
Step 2

Align BALL RETURN (item #8) with pre drilled holes over the opening on the CABINET END (item #2) on the white side. Attach the BALL RETURN (item #8) to the CABINET END (item #2) with (4) #8 X 1/2" SCREWS (item #44). Repeat at the other end. See Fig. 3A



Step 3

Attach the END (item #2) with a ball return facing inward. Outside ball return hole should be high on end. Use (6) #8 X 3" SCREWS (item #41) to attach. Do the other end the same as above. **DO NOT TIGHTEN YET.** See Fig. 3

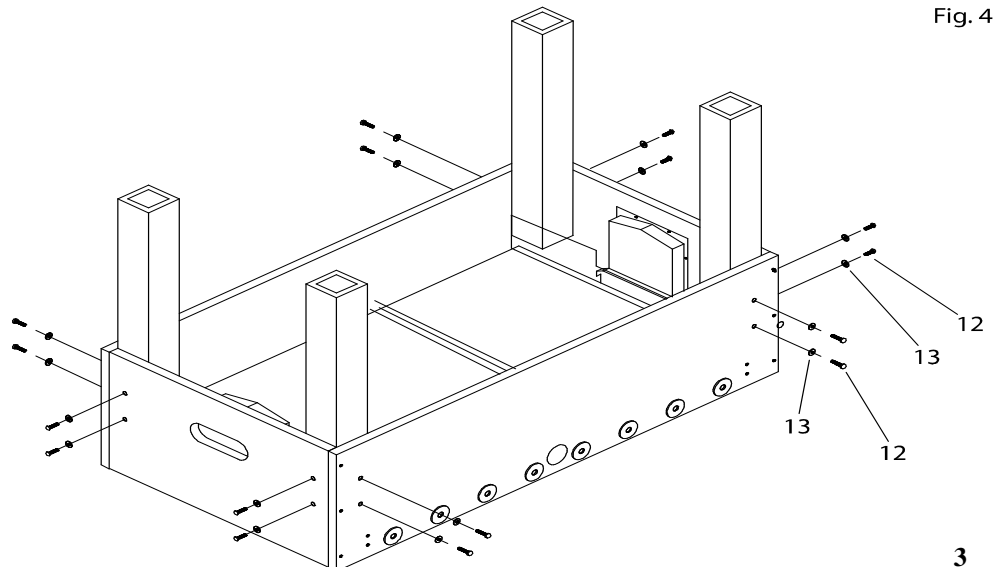


Step 4

Position the SUPPORT STRIP (item #10) in the center of playfield upright with marked edges towards playfield (down). Use (4) #8 X 3" SCREWS (item #41). You can tighten the entire game now. Now attach the PLAYFIELD (item #6) to the bottom of the game using (8) #6 X 1" SCREWS (item #43). See Figs. 3 & 2

Step 5

Assemble each LEG (item #9) by using (4) 3/8 - 16 X 2" HEX HEAD BOLTS (item #12), with (4) 3/8" FLAT WASHERS (item #13). Assemble bolts through the sides first. Start threading bolt with fingers until bolt is in majority of the way. Do not tighten yet. Put bolts through the end with fingers. **DO NOT FORCE THE BOLT IN OR YOU WILL DAMAGE THE LEG.** Continue to tighten with wrench until tight. See Fig. 4



Step 6

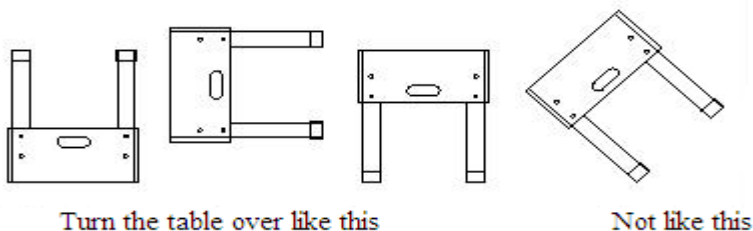
Put LEG BOOTS (item #11) in place on the end of each leg.

Step 7

It takes at least TWO STRONG ADULTS to lift the table assembly from the floor and turn it over without putting weight on the legs. Set table in the location where you will play. Check to make sure all leg bolts are tight.

**CAUTION! SAFETY COMES FIRST!
TABLE IS VERY HEAVY.**

FIG. 4A

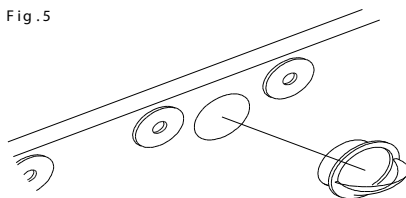


**IF TABLE IS PLACED ON AN ANGLE TO THE FLOOR,
TABLE MAY BECOME DAMAGED.
TWO STRONG ADULTS ARE RECOMMENDED TO FLIP TABLE AS SHOWN.**

Step 8

Press the BALL ENTRY CUP (item #17) into the center hole of each side of the table, being careful to not push on the ball entry cup too hard. See Fig. 5

Fig. 5



Step 9

Assemble GOALIE COVER PLATE (item #3) to both ends of the cabinet with (2) #6 X 5/8" FLATHEAD SCREWS (item #7). Assemble the SCORER ROD, SCORE BEADS & SCORER END PIECES (item #22), with (2) screws to the top on the end panel. (These should all be packaged together.)

Step 10

Work from one side of the table, and start with the RED PLAYERS (item #32). Notice that there are three different types of RODS (items #24, #25, and #26), for each team.

IMPORTANT: RODS MUST BE CLEANED PRIOR TO ASSEMBLY!

Apply lubricant to a cloth and clean rods prior to assembly.
Occasional light lubrication will make rods slide smoother.

Select (2) 3-MAN RODS (item #24), (1) 2 MAN ROD (item #25), and (1) 5 MAN ROD (item #26). Notice that there is a hole near the end of each rod. On the "hole end" of each rod, place a RUBBER HANDLE (item #27). The handles will slide on.

You may set up your goalies in one of two ways. Follow appropriate instructions for your preference:

3 MAN GOALIE SETUP

Insert one 3 MAN ROD (item #24) into the plastic bearing in the far corner hole on the left side of the table. See Fig. 6. Next, slide onto the rod, one by one, (1) RUBBER BUMPER (item #29), (1) WASHER (item #28), (3) TEAM PLAYERS (item #32), (1) WASHER (item #28), and (1) RUBBER BUMPER (item #29). Position goalie so his back is towards nearest goal. Now push rod thru other bearing on opposite side of game. Attach END CAP (item #34).

SINGLE GOALIE SETUP

Insert one 3 MAN ROD (item #24) into the plastic bearing in the far corner hole on the left side of the table. See Fig. 6. Next, slide onto the rod, one by one, (1) RUBBER BUMPER (item #29), (1) WASHER (item #28), (1) STOP RING (item #38), (1) TEAM PLAYER (item #32), (1) STOP RING (item #38), (1) WASHER (item #28), and (1) RUBBER BUMPER (item #29). Position goalie so his back is towards nearest goal. Now push rod thru other bearing on opposite side of game. Install (1) TRIANGULAR RAMP (item #37) in each corner by securing the tape to the playfield, sides, and ends.

(3) GOALIE SETUP

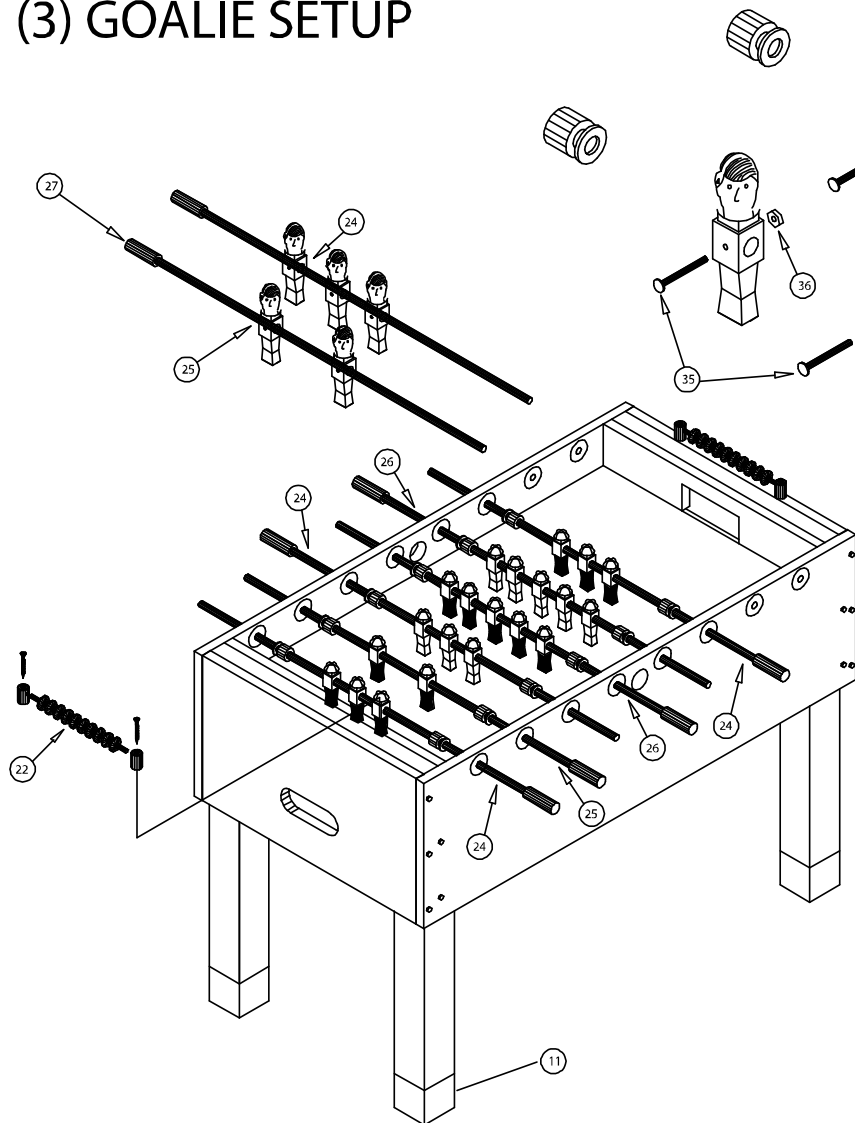
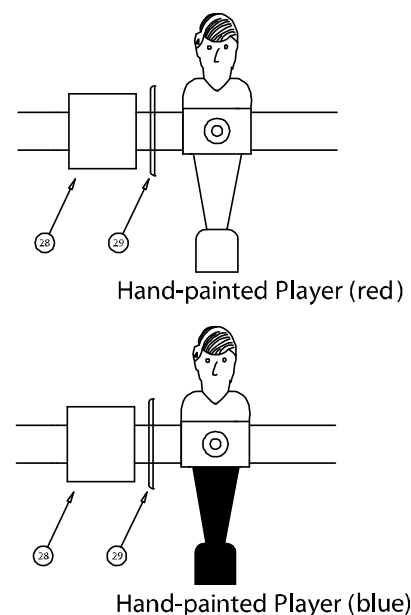


FIG. 6

Please note that on single goalie set-up the outer goalie players are replaced by stop rings



ASSEMBLY OF REMAINING RODS

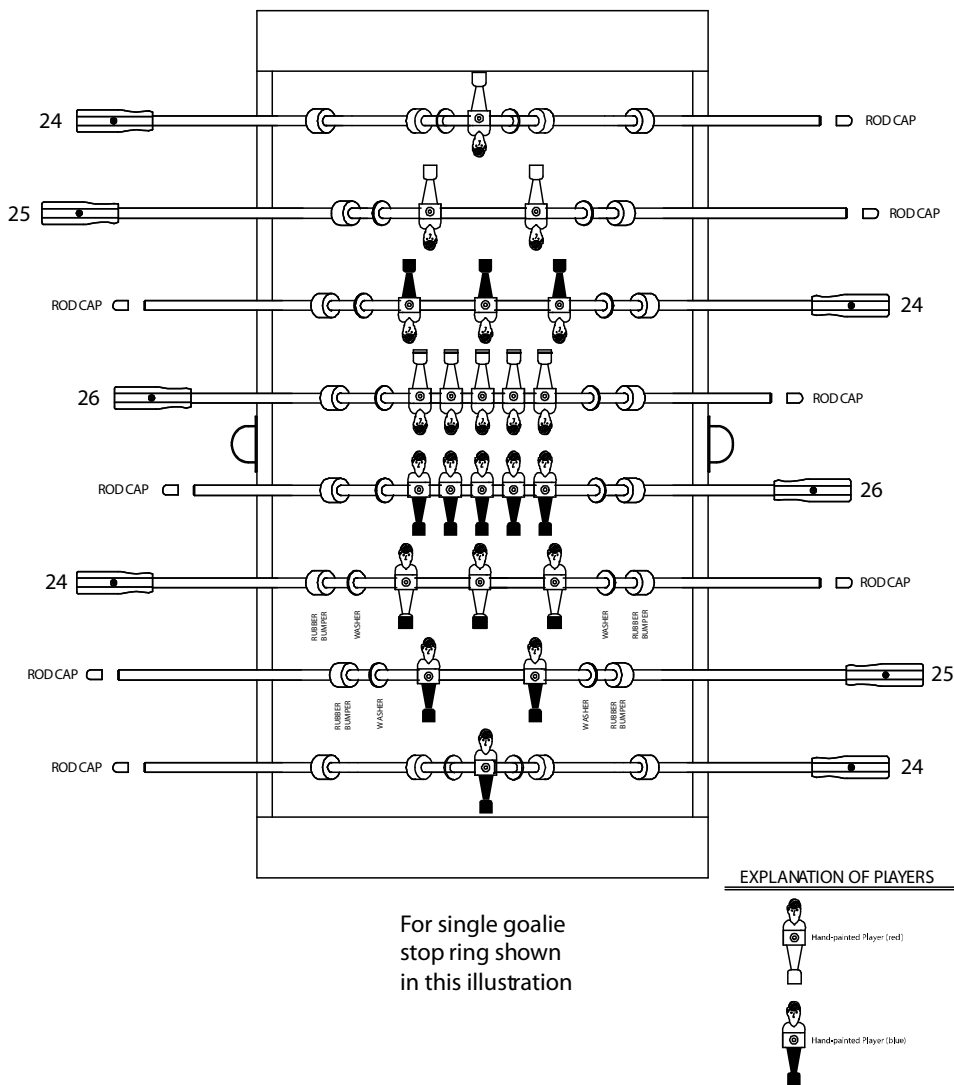
BE SURE ALL TEAM PLAYERS ARE FACING SAME DIRECTION AS THEIR GOALIE!!

Insert RODS (item #25, #26 and #24) into the second, fourth and sixth holes respectively, counting from the far left corner. See Fig. 7. Slide onto the rod using the same sequence of (1) RUBBER BUMPER (item #29), (1) WASHER (item #28), and appropriate number of RED TEAM PLAYERS (item #32). Repeat with blue team players, all facing same direction as their goalie. Please refer to the illustration for the correct number of players.

Attach RED TEAM PLAYERS (item #32) facing same direction as their goalie to the holes in rod with #8 – 32 X 1 ¼" MACHINE BOLT (item #35) and LOCKNUTS (item #36). Push (1) END CAP (item #34) on end of rod.

FIG. 7

SINGLE GOALIE SETUP



Step 11

To level the table, put shims (not furnished, cardboard works great) inside the appropriate LEG BOOTS (item #11).

PRODUCT REGISTRATION: Visit www.carrom.com to register your product(s) to receive the latest updates, special offers and other product related information.

An instructional video showing assembly of foosball table is also available at www.youtube.com/carromcompany.